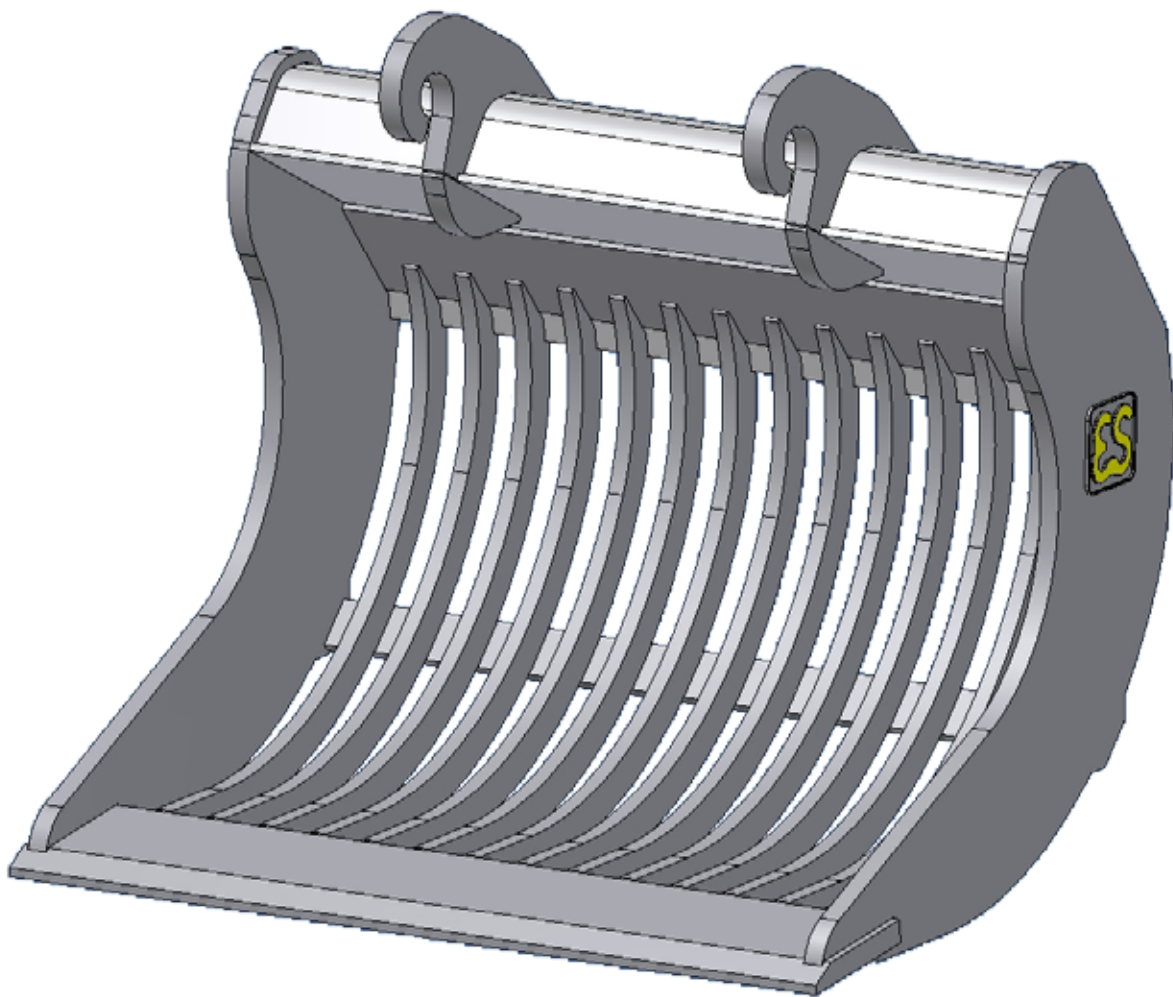
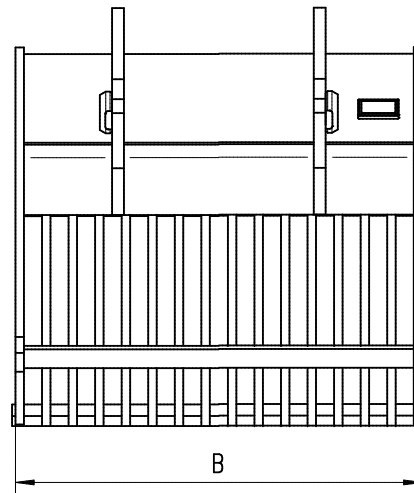
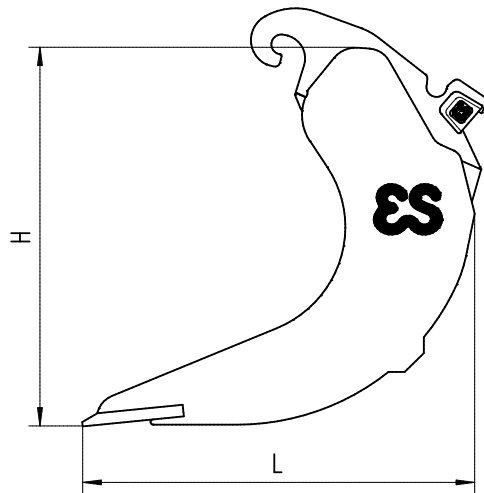


Heavy Duty type PDV with CW45/CW55

To Excavators in the class 27-60 ton



**Intended for heavier excavation activities,
sorting and sieving**



Bucket type	B (mm)	L (mm)	H (mm)	Capacity (1:1)	Weight (kg)
PDV.45.085.1450	1450	1324	1391	1620 ltr.	1640 kg
PDV.45.085.1500	1500	1324	1391	1680 ltr.	1670 kg
PDV.45.085.1600	1600	1324	1391	1820 ltr.	1730 kg
PDV.45.100.1500	1500	1418	1558	1960 ltr.	1890 kg
PDV.45.100.1600	1600	1418	1558	2110 ltr.	1960 kg
PDV.5.100.1500	1500	1418	1558	1945 ltr.	1990 kg
PDV.5.100.1600	1600	1418	1558	2100 ltr.	2060 kg
PDV.5.100.1700	1700	1418	1558	2250 ltr.	2130 kg

Models for even more powerful machines possible in consultation

Characteristics of Skeleton Bucket heavy duty:

- Stronger construction than skeleton bucket general purpose
- Intended for heavier excavation activities, sorting, sieving and also suitable for breaking up asphalt
- Several possibilities of changeable toothsystems, like COMBI, ESCO or CAT adapters with tips
- Available with different suspensions: Standard, Quick Twin, Pin-on or specials
- Several other versions and widths possible on request

Eurosteel BV

Van Heemskerckweg 10
5928 LL Venlo
The Netherlands
T: +31 (0)77 387 60 60
F: +31 (0)77 382 49 47
E: info@eurosteel.nl